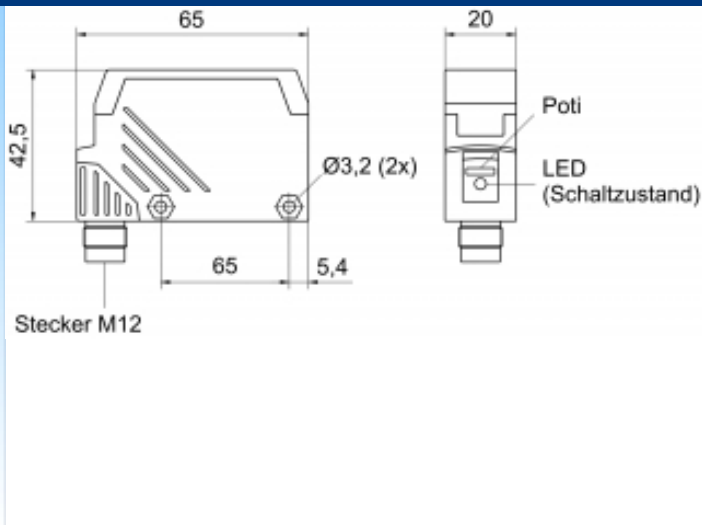
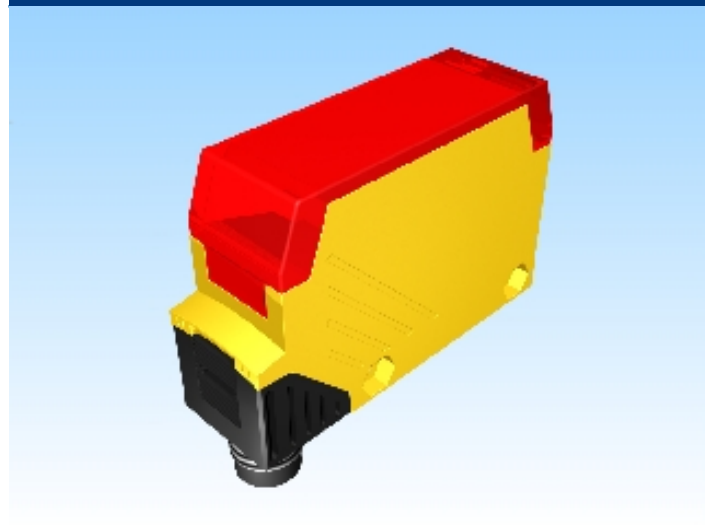


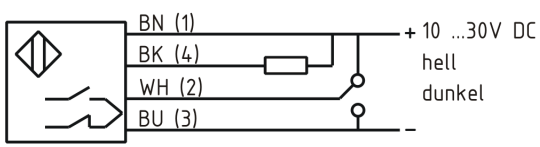


[Article Page](#)

**Product Description** **reflex light probe with background suppression**



Name	KORH500-Q64KB-DNU-V2-RT
Order number	08361215022
art_schaltabstand_einstellbar	yes
Switching distance	from 150 to 500
Switch type	 Switchable
Signal Type	NPN
Illuminant	 Red light 650 nm
Connection	connector M12
Connection diagramm	

Dimension (in mm)	Q 20 x 60 x 43
-------------------	----------------

**Technical Specification**

Signal type	Background suppression sensor
Operating voltage	10 - 30 V DC
Max. load current	100 mA
No load current	< 35 mA
Switching frequency	33
Operating temperature	-25 ° C to 55 ° C
Switching state	LED
Short-circuit proof	yes
Overload protection	yes
Reverse voltage protection	yes

---

Protection category	IP67
EMC-level	DIN EN 60947-5-2:2008
Housing material	Plastic
Termination	Connector M12 4pol

---

**Errors and omissions exceptet**