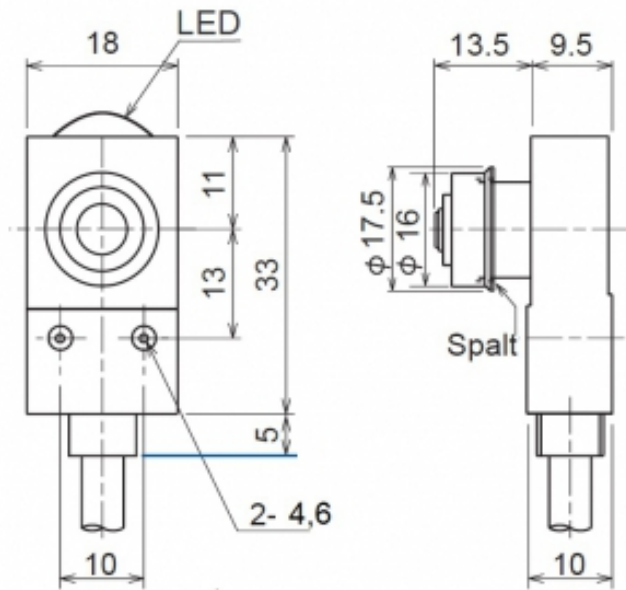

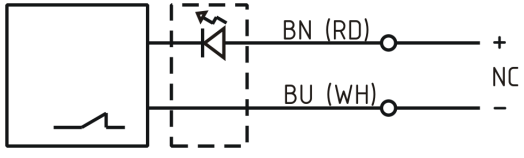


[Article Page](#)

Product Description

Touch Sensor



Name	P11DDB-DULD
Order number	08430221002
Switch type	 N.C.
Signal Type	mechanical contact
Connection	Cable 3m
Connection diagramm	

Dimension (in mm)	Q 18 x 23 x 33
art_gewicht	105 g

Technical Specification

Operating voltage	5 - 24 V DC
Max. load current	10 mA
Switching hysteresis	0
Operating temperature	0 ° C to 80 ° C
Temperature drift	0
Repeat accuracy	0,001 mm (at operating speed 50 ... 200 mm/min)
Switching state	LED
Stroke	3 mm
Pre-travel	0 mm

Accuracy	0,00! mm
Probe tip	Fläche 5
Probe tip material	Wolframkarbid
Operation load	1 N
art_ttl_mech	3 Mio. operating cycles
Protection category	IP67
Wiring	Zweidraht/ Two wire
Termination	cable 3 m, 2 wire, Ø 5 mm, oil resistant
Approach direction	axial

Errors and omissions exceptet