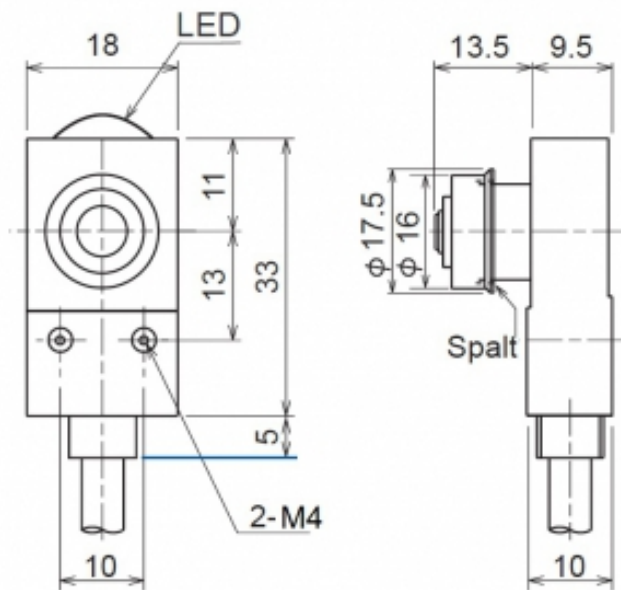

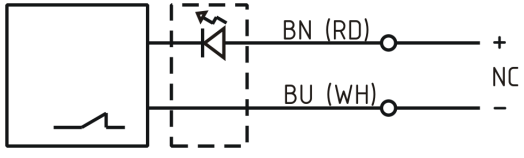


[Article Page](#)

Product Description

Touch Sensor



| | |
|---------------------|--|
| Name | P11DMB-DULD |
| Order number | 08430221001 |
| Switch type |  N.C. |
| Signal Type | mechanical contact |
| Connection | Cable 3m |
| Connection diagramm |  |

| | |
|-------------------|----------------|
| Dimension (in mm) | Q 18 x 23 x 33 |
| art_gewicht | 105 g |

Technical Specification

| | |
|-----------------------|---|
| Operating voltage | 5 - 24 V DC |
| Max. load current | 10 mA |
| Switching hysteresis | 0 |
| Operating temperature | 0 ° C to 80 ° C |
| Temperature drift | 0 |
| Repeat accuracy | 0,001 mm (at operating speed 50 ... 200 mm/min) |
| Switching state | LED |
| Stroke | 3 mm |
| Pre-travel | 0 mm |

| | |
|---------------------|--|
| Accuracy | 0,001 mm |
| Probe tip | Fläche 5 |
| Probe tip material | Wolframkarbid |
| Operation load | 1 N |
| art_ttl_mech | 3 Mio. operating cycles |
| Protection category | IP67 |
| Wiring | Zweidraht/ Two wire |
| Termination | cable 3 m, 2 wire, Ø 5 mm, oil resistant |
| Approach direction | axial |

Errors and omissions exceptet