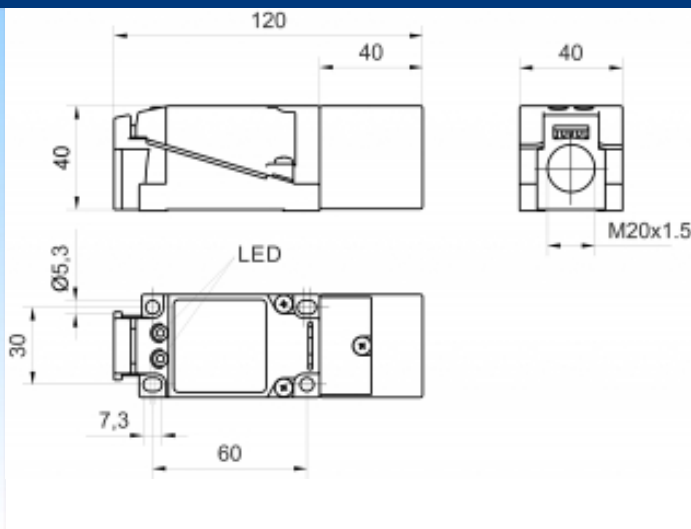


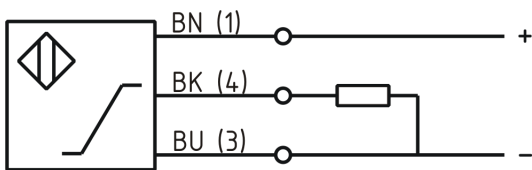


[Article Page](#)

Product Description

inductive sensor DC



Name	SJ20-Q40KN-ANUI
Order number	08313204010
Switching distance	from 10 mm to 20 mm
Mounting	 non shielded
Switch type	 analog
Signal Type	Analog Current/Voltage
Connection	Terminal
Connection diagramm	

Dimension (in mm) Q 40 x 40 x 120

Technical Specification

Special features	Output Voltage 0 ... 10 Volt Output Current 0 ... 20 mA
Operating voltage	18 - 30 V DC
Max. ripple	≤ 10 %
Switching frequency	30 Hz
Temperature drift	+/- 5 %
Repeat accuracy	< 0,02 %
Linearity	10 %
Time delay	500 ms
Protection category	IP67

EMC-level	DIN EN 60947-5-7:2004-06
Housing material	PBT
Utilisation category	DC 13
Nominal operating voltage	24 V DC
Termination	Terminal 1,5mm ²
Housing Material	PBT Resin

Errors and omissions exceptet