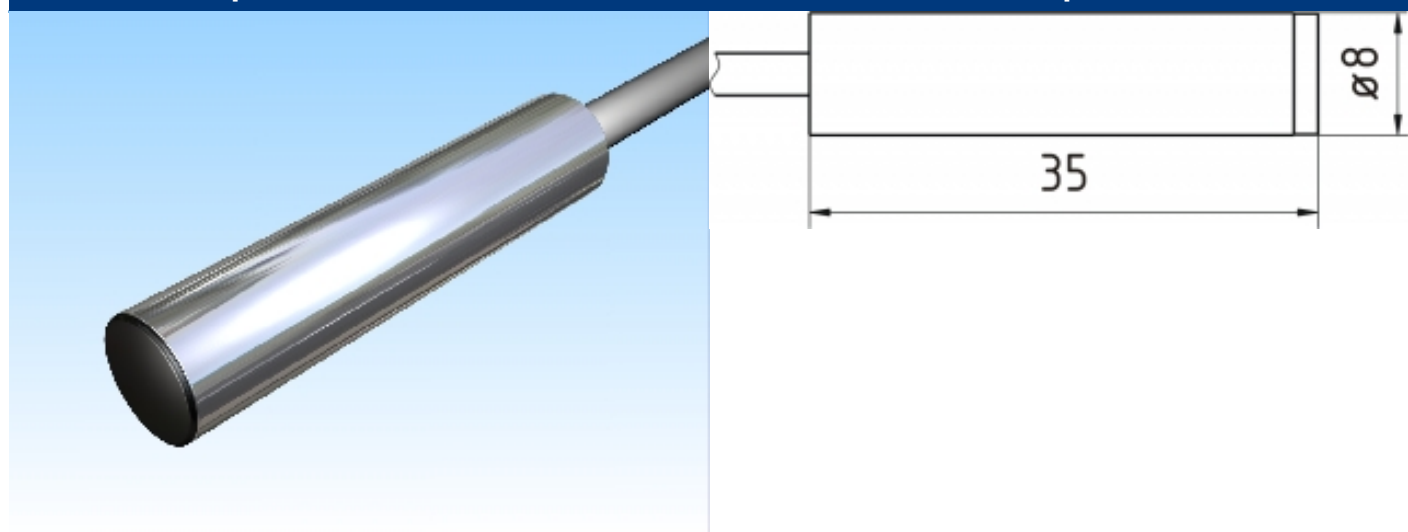




[Article Page](#)

Product Description **inductive sensor Pick-Up**



Name	KJ4-G8MB35-VK
Order number	08317120100
Matchcode	9912-0100
art_schaltabstand_einstellbar	yes
Switching distance	4 mm
Mounting	 shielded
Connection	 Connector
Dimension (in mm)	D 8 x 35

Technical Specification

Special features	PickUp sensor for using with Amplifiers Termination by BNC-Connector
Switching frequency	5000 Hz
Switching hysteresis	bei $S_n = 2,0 < 0,04\text{mm}$
Operating temperature	-10 ° C to 70 ° C
Repeat accuracy	$\leq 0,01 \text{ mm}$
Protection category	IP67
Housing material	Brass, nickel plated
Material active face	PA 6.6
Cable length	2 m
Cable material	KOAX PVC LI2YDY
Cable cross	1x1,0 mm ²
FIT / MTTF acc. to SIEMENS 29500	7,5 / 15221y

Errors and omissions exceptet